

# G.r.a., gyrating Romantic *rings of Light.*

This clean, precise form is the result of hours of labor by our artisans, who meticulously weld each ring together. G.r.a. is a delicate, refined pendant whose intricate shape belies its romantic glow. Available as an oval or a sphere, and finished in nickel or gold, G.r.a. serves as an elegant, unobtrusive complement to any room. Design Bruno Rainaldi.





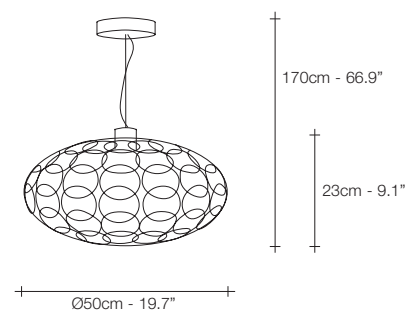




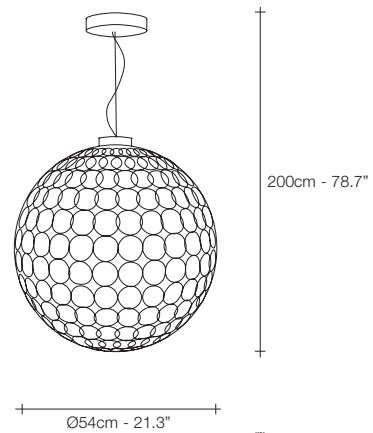




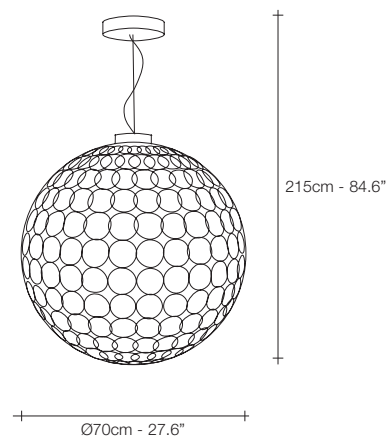




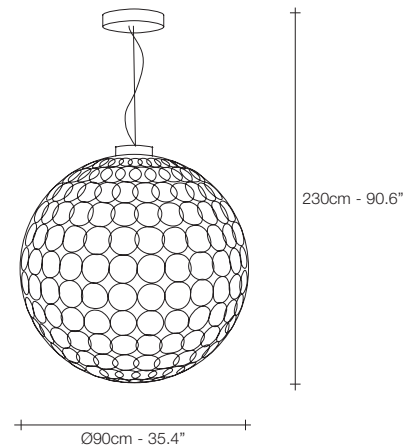
N41SL



N43SL



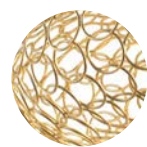
N42SL



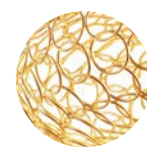
N40SL



NICKEL



GOLD LEAF



GOLD PLATED

230V	Replaceable LED module	LIGHT SOURCE			
		N41SL	N43SL	N42SL	N40SL
	Replaceable LED module	18W	18W	18W	18W
	CRI 90   3000K	1640lm	1640lm	1640lm	1640lm
	2700K	1570lm	1570lm	1570lm	1570lm
	Dimmable	1-10V PUSH/DALI	1-10V PUSH/DALI	1-10V PUSH/DALI	1-10V PUSH/DALI
120V	Replaceable LED module	LIGHT SOURCE			
		N41SL	N43SL	N42SL	N40SL
	Replaceable LED module	18W	18W	18W	18W
	CRI 90   3000K	1640lm	1640lm	1640lm	1640lm
	2700K	1570lm	1570lm	1570lm	1570lm
	Dimmable	1-10V PUSH	1-10V PUSH	1-10V PUSH	1-10V PUSH

G.r.a. can be manufactured to work with integrated LED 3000K or 2700K. Different dimming options on request.

